

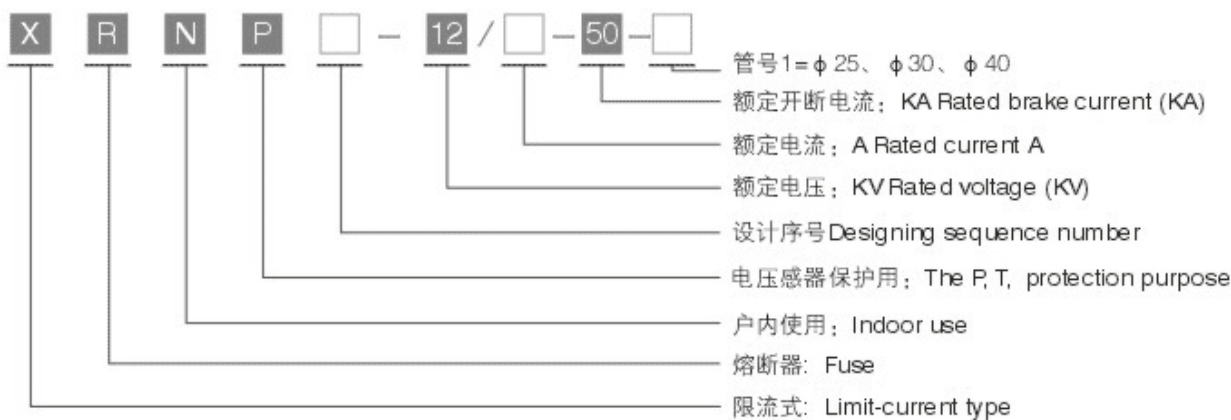
# High Voltage Fuse



### High-voltage fuse for instruments transformer protection

This product can be used in indoor system of Ac50Hz and rated voltage of 3.6-40.5KV to protect the voltage mutual-inductor from over loading and circuit break.(tested by-inductor from overloading and circuit break. (Tested by National high-voltage quality Supervising and Testing Center,in accordance with GB15166.2 and IEC282-1).

#### Type instruction



#### Basic parameters

See chart for the fuse of basic parameters

Type	Rated Voltage(KV)	Rated current(A)	Rated brake current(KA)
XRNP1-□/□-□-1	7.2(3.6) 12	0.2,0.3,0.5,1,2,3.15	50
XRNP1-□/□-□-1	24	0.2,0.3,0.5,1,2,3.15	50
XRNP1-□/□-□-2	12	2,3.15	50
XRNP6-□/□-□-1	40.5	0.2,0.3,0.5,1,2,3.15	31.5
XRNP6-□/□-□-3		0.2,0.3,0.5,1,2,3.15,4.5	
XRNP6-□/□-□-4		0.2,0.5,1,2,3.15,6.3	

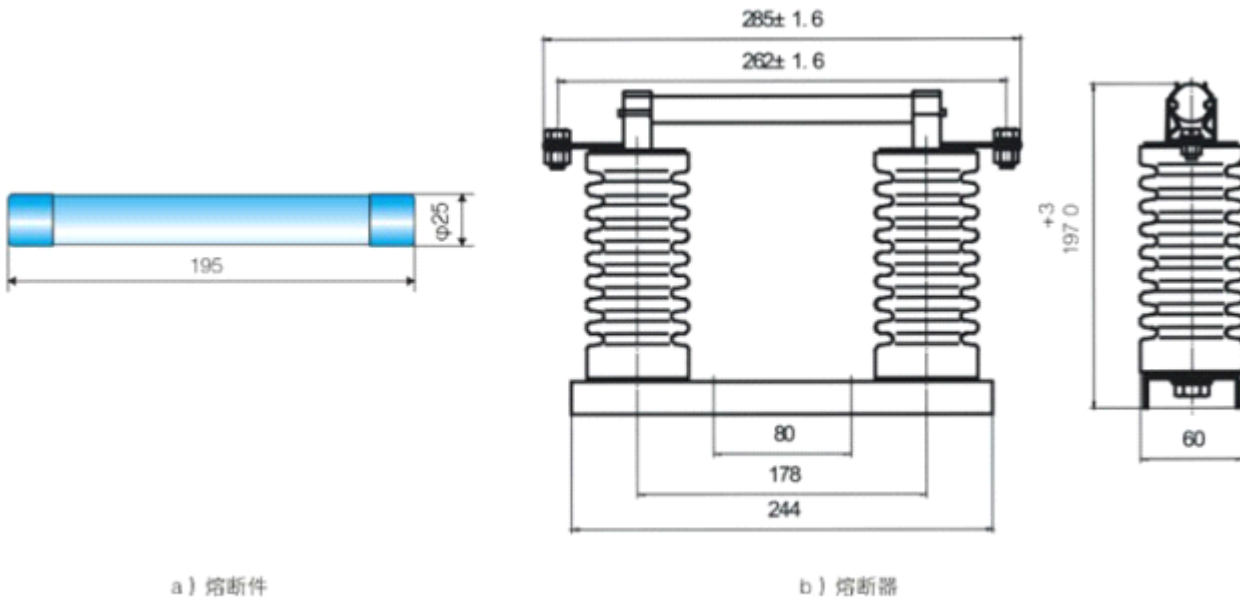


图1 XRNP1-12/□-50-1

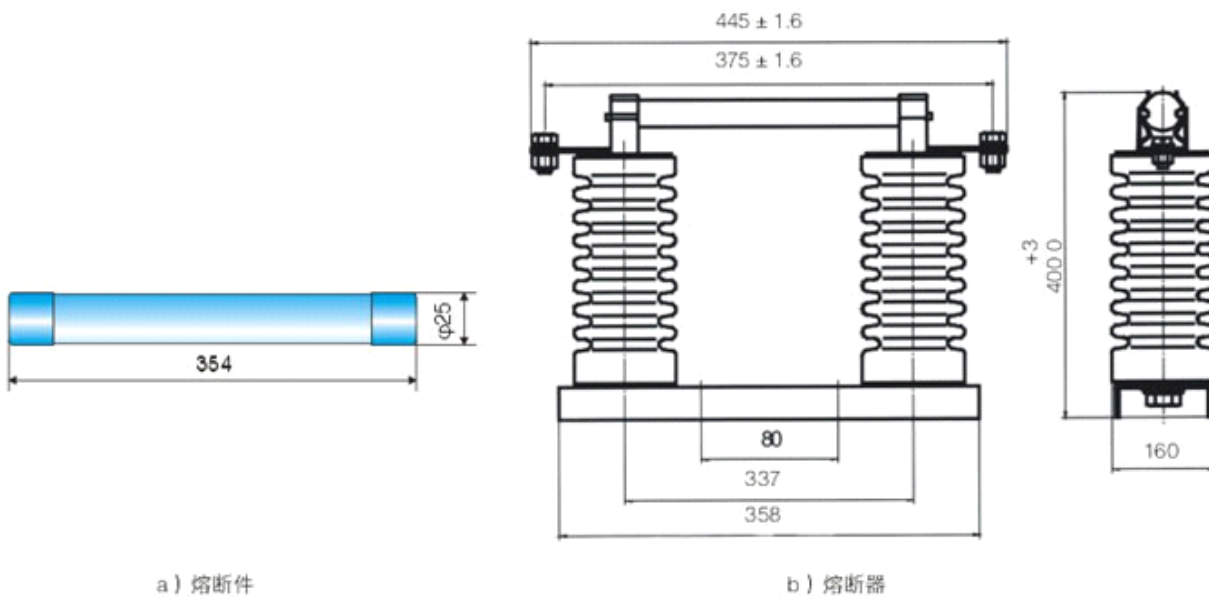


图2 XRNP1-24/□-50-1

## High Voltage Fuse



### High-voltage fuse for protection transformer(Germany din standard)

It can be used in indoor system of 50HZ and rated voltage of 3.6KV,7.2KV,12KV,24KV,40.5KV:Used together with other switch facilities such as loading switches,vacuum contactors,it can protect electric transformers and other electric facilities against overloading or circuit break.It is also a necessary accessory for high-voltage switch box,circular circuit cabinet,high/Low voltage top-loading transformer substation.

#### Type instruction



#### Basic parameters

型号 Type	同等型号 Counterpart	额定电压 (KV) Rated voltage	熔断器额定电流 (A) Rated current of the fuse (A)	熔体额定电流 (A) Rated current of the fuse link (A)
XRNT-12	SDLAJ	12	40	3.15, 6.3, 10, 16, 20, 25, 31.5, 40
XRNT-12	SFLAJ	12	100	50, 63, 71, 80, 100, (125)
XRNT-12	SKLAJ	12	125	125, 160, 200, 250
XRNT-24		24	200	3.15, 6.3, 10, 16, 20, 25, 31.5, 40 50, 63, 80, 100, 125, 160, 200
XRNT-40.5		40.5	125	3.15, 6.3, 10, 16, 20, 25, 31.5 40, 50, 63, 80, 100, 125

**See chart for the fuse of basic parameters**

图1/a熔断器 Chat1/a link XRNT□-12Kv

注:  $\phi A$ :  $\phi 51\text{mm}$  (6.3-40A)  $\phi 63$   $\phi 76\text{mm}$  (50-125A)  $\phi 88\text{mm}$  (160-200A)  
Note:  $\phi A$ :  $\phi 51\text{mm}$  (6.3-40A)  $\phi 63$   $\phi 76\text{mm}$  (50-125A)  $\phi 88\text{mm}$  (160-200A)

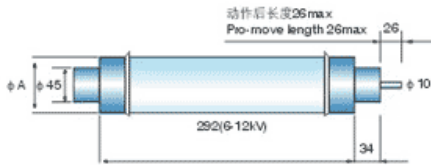


图2/a熔断器 Chat2/a link XRNT□-24Kv

注:  $\phi A$ :  $\phi 51\text{mm}$  (6.3-40A)  $\phi 63$   $\phi 76\text{mm}$  (50-125A)  $\phi 88\text{mm}$  (125-200A)  
Note:  $\phi A$ :  $\phi 51\text{mm}$  (6.3-40A)  $\phi 63$   $\phi 76\text{mm}$  (50-125A)  $\phi 88\text{mm}$  (125-200A)

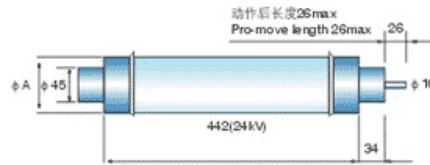


图3/a熔断器 Chat3/a link XRNT□-40.5Kv

注:  $\phi A$ :  $\phi 51\text{mm}$  (6.3-25A)  $\phi 76\text{mm}$  (25-40A)  $\phi 88\text{mm}$  (50-100A)  
Note:  $\phi A$ :  $\phi 51\text{mm}$  (6.3-25A)  $\phi 76\text{mm}$  (25-40A)  $\phi 88\text{mm}$  (50-100A)



图4/b熔断器 Chat4/b link(12KV)

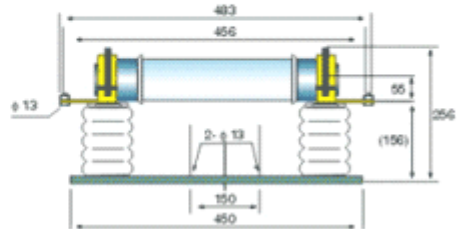


图5 插入式熔断器 Inserting type fuse XRNT□-24Kv

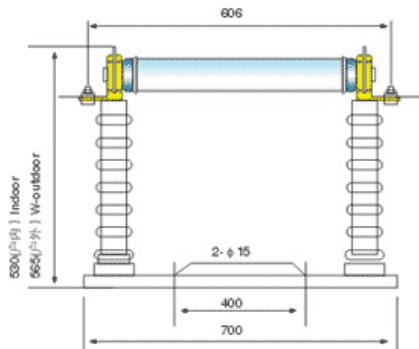
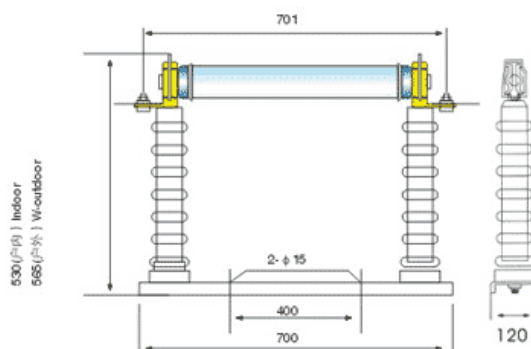


图6 插入式熔断器 Inserting type fuse XRNT□-40.5Kv



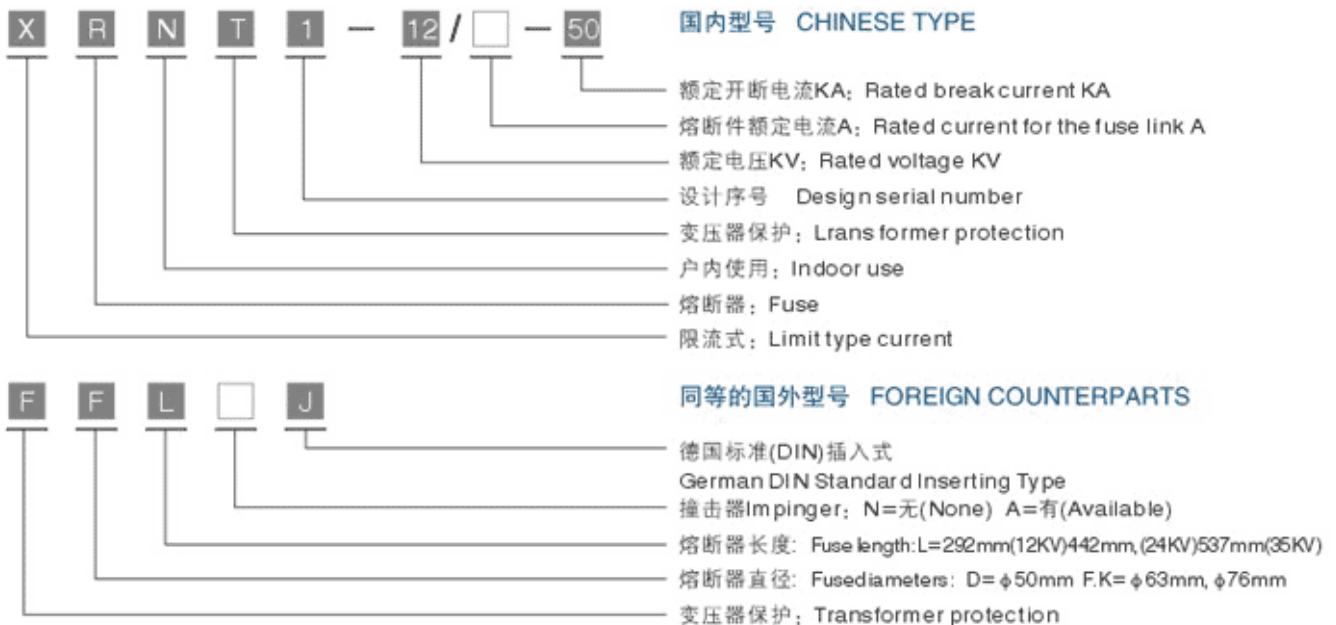
# High Voltage Fuse



### High-voltage fuse for Wholly-scope protection transformer

This product can be used in indoor system of 50Hz and rated voltage 12kv.It can break any problem current between the fuse melting current and the rated break,it has also the non-current limit fuse of small current protection.an overall break protection can be achieved.

#### Type instruction



#### Basic parameters

额定电压 (KV) Rated voltage	熔断器额定电流 (A) Rated current of the fuse (A)	熔体额定电流 (A) Rated current of the fuselink(A)	额定开断电流KA Rated break current KA
12	63	10, 16, 20, 25, 25, 31.5, 40, 50, 63	50

表 CHART 1

## Selecting principles

primary voltage of the transformer 12KV		
变压器容量 KVA Transformer capacity KVA	熔断器额定电流 A Fuse rated current (A)	熔断器型号 Fuse type
<125	10	
160	16	
200-250	20	
315	25	
400	31.5	
500	40	
630	50	
800	63	

表 CHART 2

图 1/a熔断器 Chat1/a link

注:  $\phi A$ :  $\phi 76\text{mm}$  10 ~ 63A  
 $\phi 88\text{mm}$  80 ~ 100A

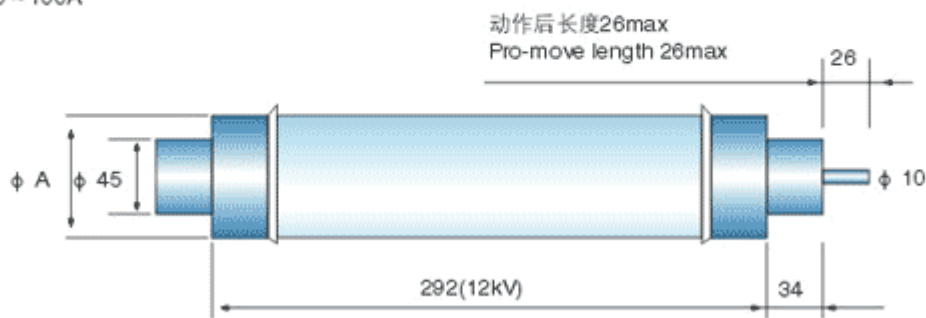
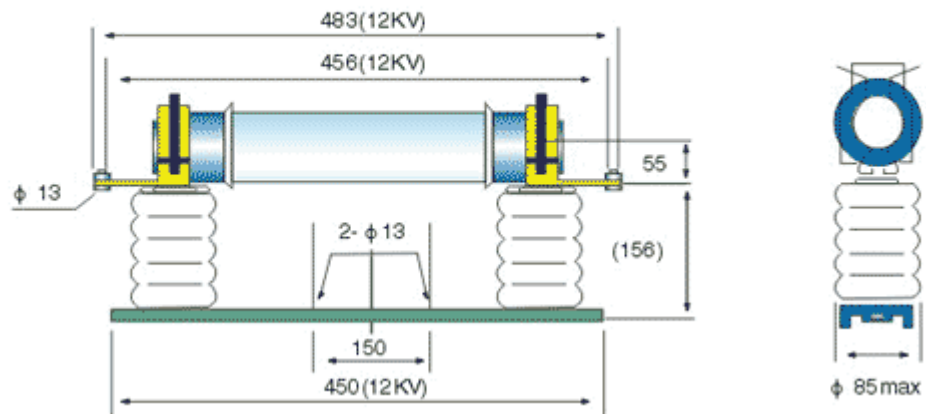


图 1/b熔断器 Chat1/b link(12KV)



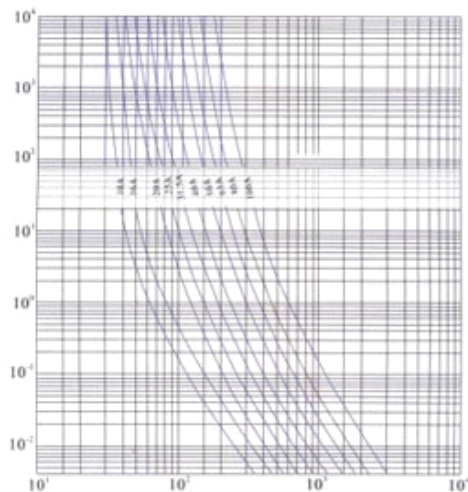
## Technique date

型号	额定电压 $U_N$ (KV)	额定电流 $I_N$ (A)	直径 $d$ (mm)	国外参考型号
XRNT□	12	10	76	FFLAJ
		16		
		20		
		31.5		
		40		
		50		
		63		
		80		
		100	88	

## Property Curve Diagram

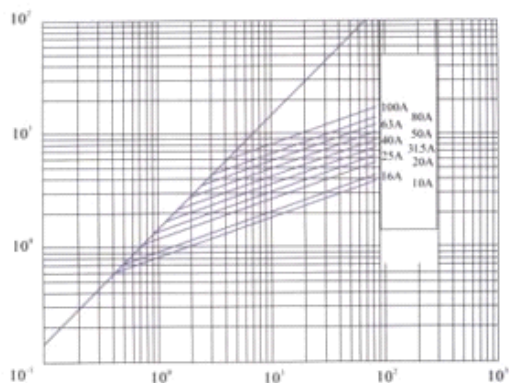
弧前时间 (S)

预期电流有效值 (A) 10A-100A时间-电流特性曲线



截断电流峰值 (A)

预期电流有效值得 (A) 10A-100A限流特性曲线





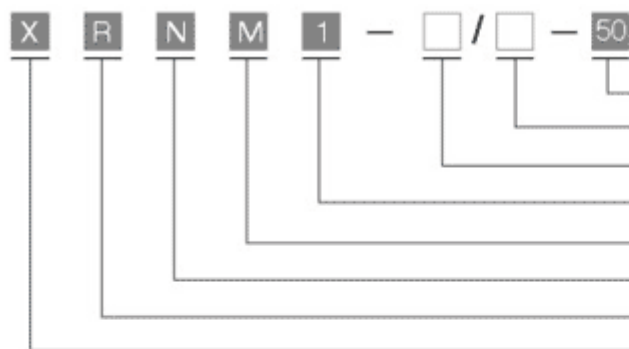
## High Voltage Fuse



### High-voltage fuse for protection electrical motor (England bs standard)

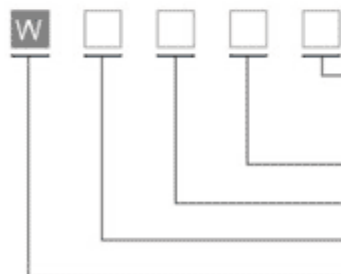
The product can be used in indoor Ac system of 50Hz and rated voltage 3.6kV and 7.2KV 12Kv. When used together with other protection facilities (such as switches and vacuum contactors), it works to protect high-voltage motor and other electric facilities from overloading and circuit break.

#### Type instruction



#### 国内型号 CHINESE TYPE

- 额定开断电流KA; Rated break current KA
- 熔断件额定电流A; Rated current A
- 额定电压KV; Rated voltage KV
- 设计序号 Design serial number
- 电动机保护; Motor protection
- 户内使用; Indoor use
- 熔断器; Fuse
- 限流式; Limiting current



#### 同等的国外型号 FOREIGN COUNTERPARTS

- 连接形式: 0=单管 02=双并 03=参并
- Connecting mode: 0=single pipe 02=pieces paraller connected 03=pieces paraller connected
- 撞击器Impinger; N=无(Nine) H=有Impinger: N=none H=available
- 熔断器长度: Length of the fuse: F=254mm N=403mm
- 熔断器直径: Diameter of the fuse: D=φ51mm F.K=φ76mm
- 电动机保护用; For motor protecion



### Basic parameters

国外型号 Foreign TYPE	额定电压 (KV) Rated voltage KV	额定开断电流KA Rated break current KA	熔断器额定电流 (A) Rated current of the fuse (A)	熔体额定电流 (A) Rated current of the fuse link (A)	主要尺寸 Major dimension				
					A	B	C	D	
XRNM1 -3.6	WDF0	3.6	50	125	50, 63, 100, 125	337	254	305	51
	WFF0			200	125, 160, 200	(300)	(312)	(340)	76
	WKF0			400	250, 315, 355, 400				
XRNM1 -7.2	WFF0	7.2		160	25, 31.5, 40, 50, 63, 80, 100, 125, 160	498	403	404	76
	WKN0	12		315	200, 224, 250, 315	(300)	(461)	(100)	

Note: 1. The above rated parameters for single pipe, the fuses can be parallel connected by fixed structure to get a high rated current.  
2. Sizes in the bracket are for inserting fuses.

### Installation Dimensions

图 1 Chat1 Busbar fuse Installation Dimensions

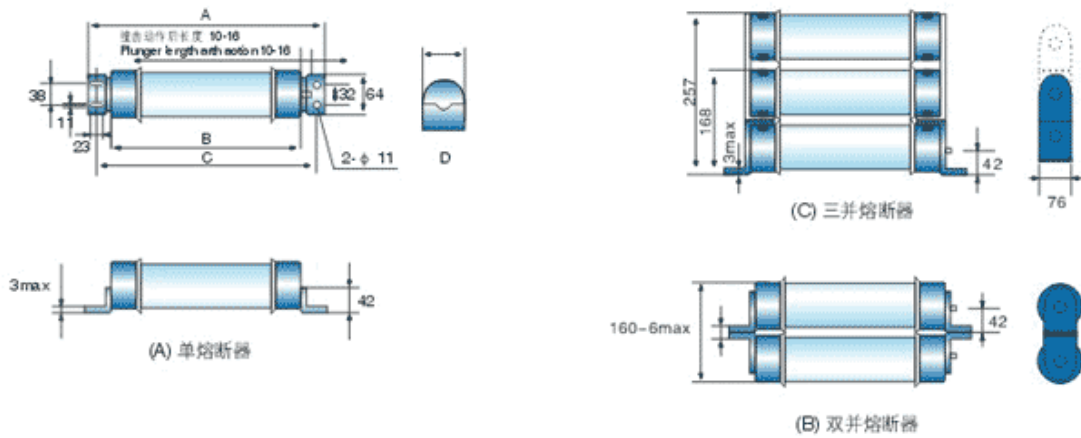
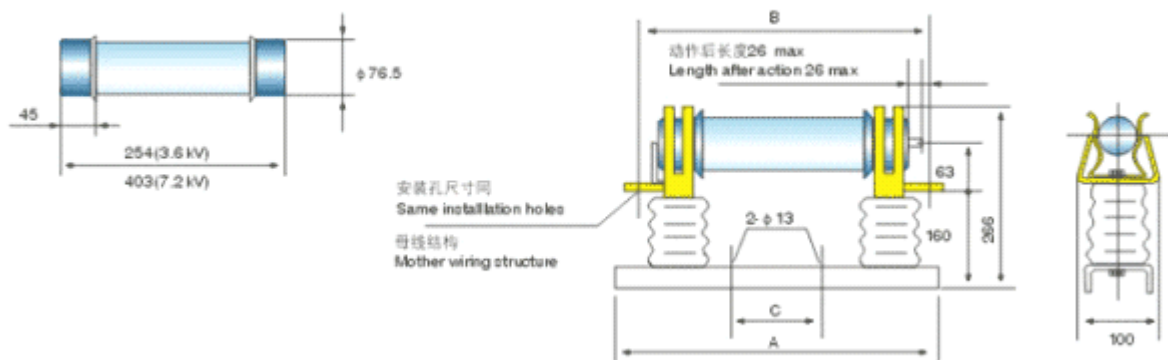


图 2 Chat2 Inserting fuse Installation Dimensions



### Main technical characteristics

1. In required working conditions, the fuse can break any fault current between the minimum break current 1.6-3 and the rated break current.
2. See Chart 3 for time-current property. The section above the minimum break current is by dotted line.
3. See Chart 4 for current limit property.
4. See Chart 5 for I<sup>2</sup>t property.